

Height Cylinders

SPECIFICATION

Steel

- Case-hardened
- Blackened

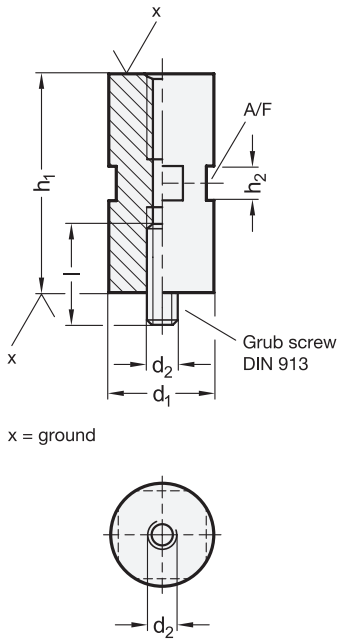
Grub screw DIN 913

Steel, blackened

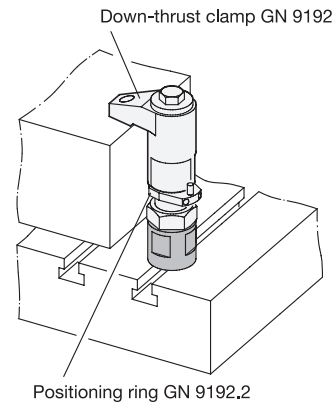
INFORMATION

Height cylinders GN 9192.3 are used to increase the clamping height of down-thrust clamps GN 9192 (see page).

Height cylinders can also be used in combination with positioning elements and clamping pads to position contact points at a greater distance from the reference surface.



Application example



GN 9192.3

Description	d1 -0.1	d2	h1 ±0.01	h2	l	A/F	⚖
GN 9192.3-25-M8-20	25	M 8	20	10	20	22	71
GN 9192.3-25-M8-40	25	M 8	40	20	25	22	139
GN 9192.3-40-M12-35	40	M 12	35	20	30	36	319
GN 9192.3-40-M12-70	40	M 12	70	20	35	36	644

